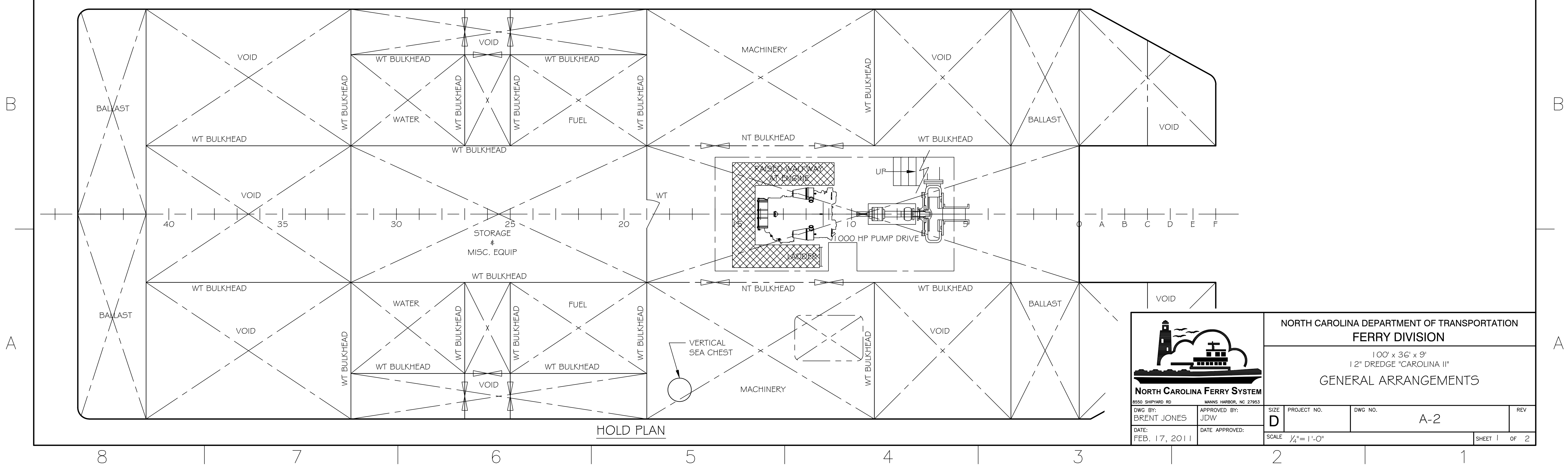
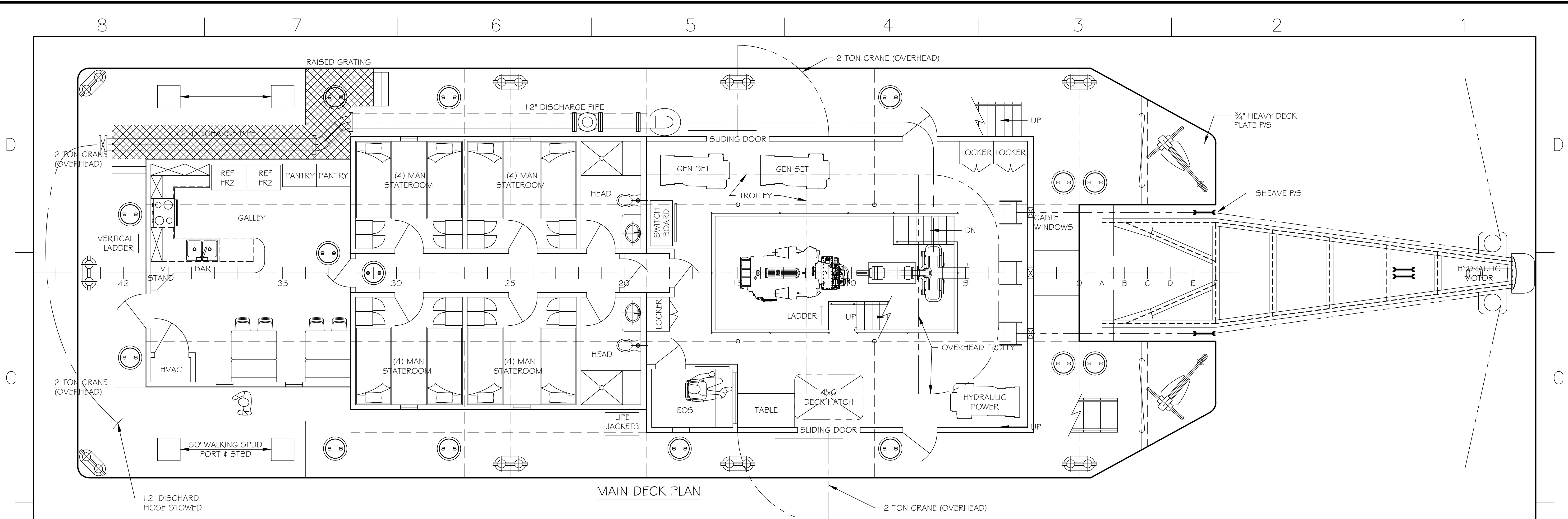
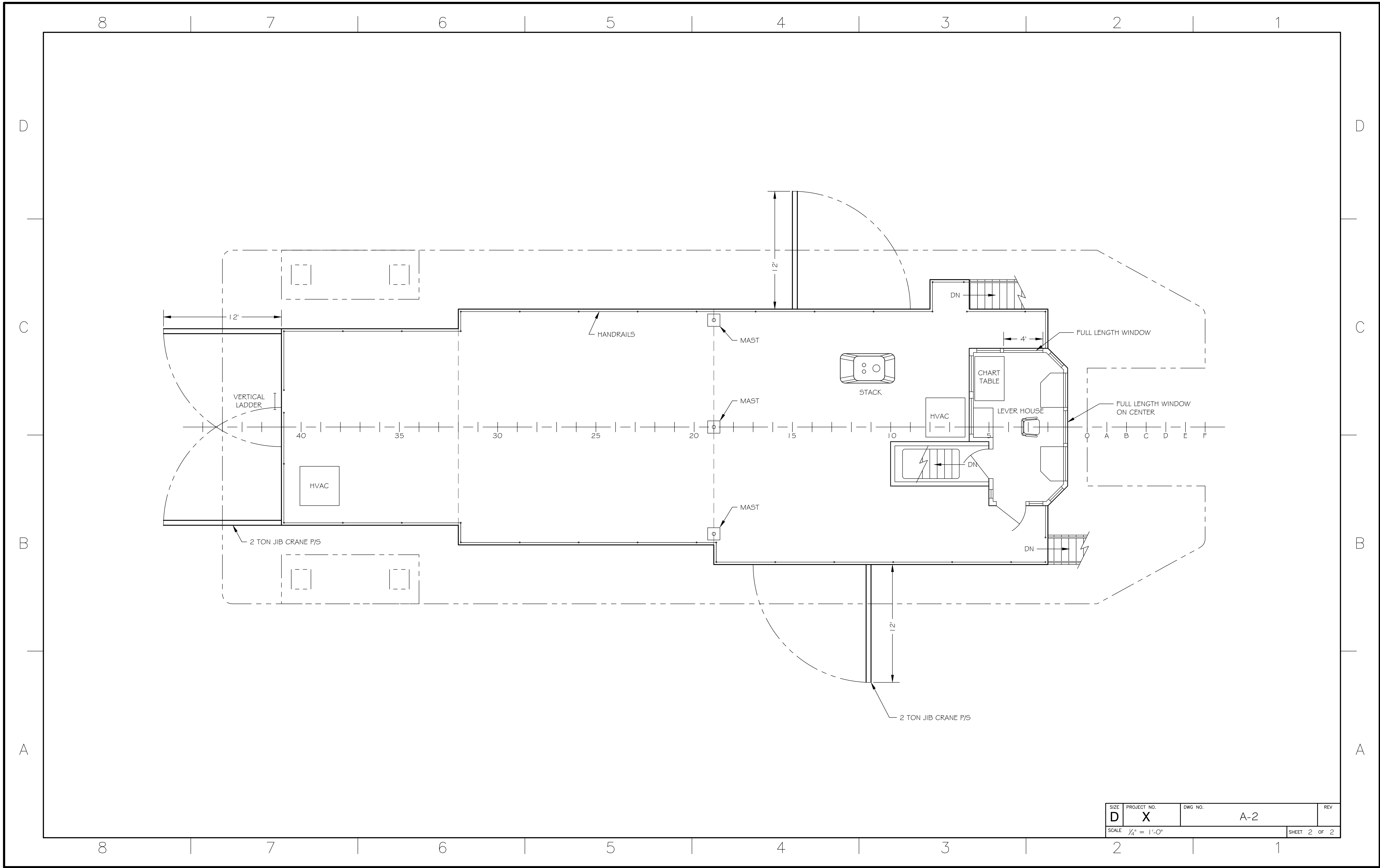
 <p>NORTH CAROLINA FERRY SYSTEM <small>8550 SHIPYARD RD. MANKS HARBOR, NC 27953</small></p>		<p>NORTH CAROLINA DEPARTMENT OF TRANSPORTATION FERRY DIVISION</p>			
		<p>100' x 36' x 9' 12' DREDGE "CAROLINA II" OUTBOARD PROFILE</p>			
DWG BY: BRENT JONES	APPROVED BY: JDW	SIZE D	PROJECT NO.	DWG NO. A-1	REV
DATE: DEC. 23, 2011	DATE APPROVED:	SCALE $\frac{1}{4}" = 1'-0"$		SHEET 1 OF 1	



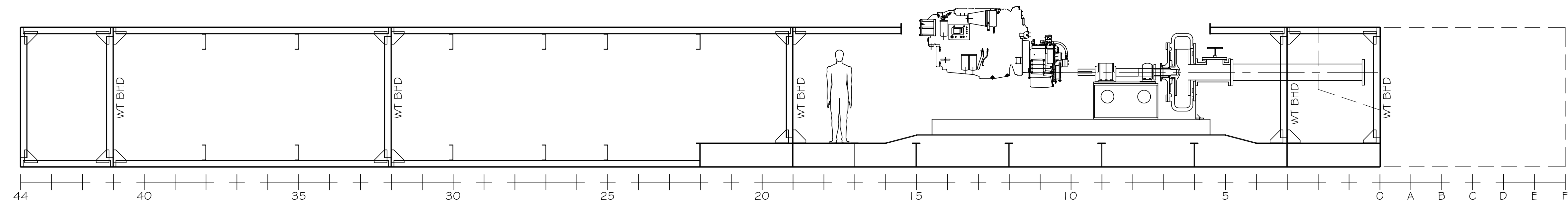
<p>NORTH CAROLINA FERRY SYSTEM 8550 SHIPYARD RD. MANNING HARBOR, NC 27953</p>		<p>NORTH CAROLINA DEPARTMENT OF TRANSPORTATION FERRY DIVISION</p>			
		<p>100' x 36' x 9' 12" DREDGE "CAROLINA II" GENERAL ARRANGEMENTS</p>			
<p>DWG BY: BRENT JONES</p>	<p>APPROVED BY: JDW</p>	<p>SIZE D</p>	<p>PROJECT NO.</p>	<p>DWG. NO. A-2</p>	<p>REV</p>
<p>DATE: FEB. 17, 2011</p>	<p>DATE APPROVED:</p>	<p>SCALE 1/4" = 1'-0"</p>	<p>SHEET 1 OF 2</p>		



SIZE	PROJECT NO.	DWG NO.	REV
D	X	A-2	
SCALE 1/4" = 1'-0"			SHEET 2 OF 2

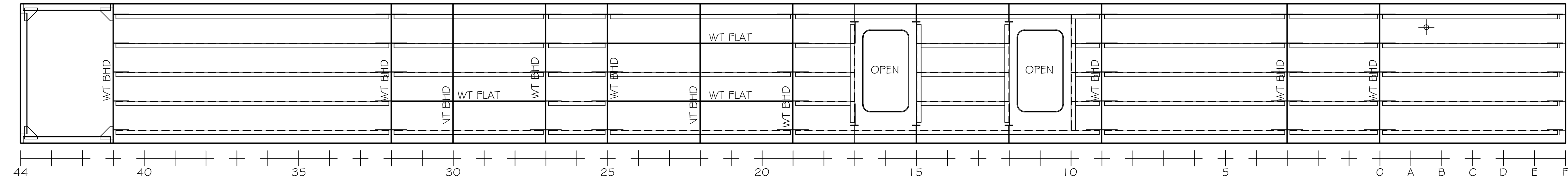
8 | 7 | 6 | 5 | 4 | 3 | 2 | 1

D



LONGITUDINAL SECTION 2'-0" OFF CENTER

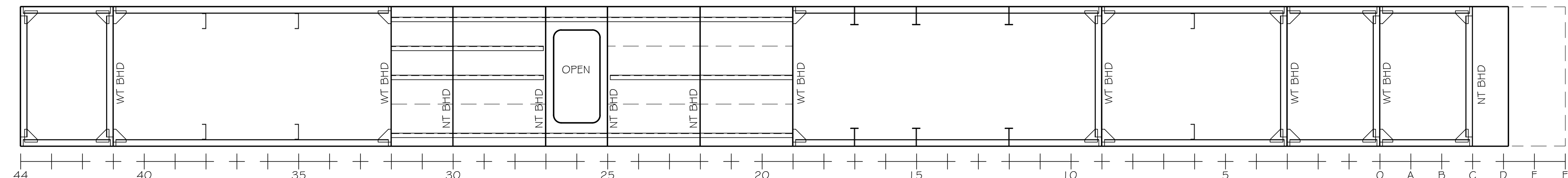
C



LONGITUDINAL SECTION 6'-0" OFF CENTER

STBD SIDE SHOWN

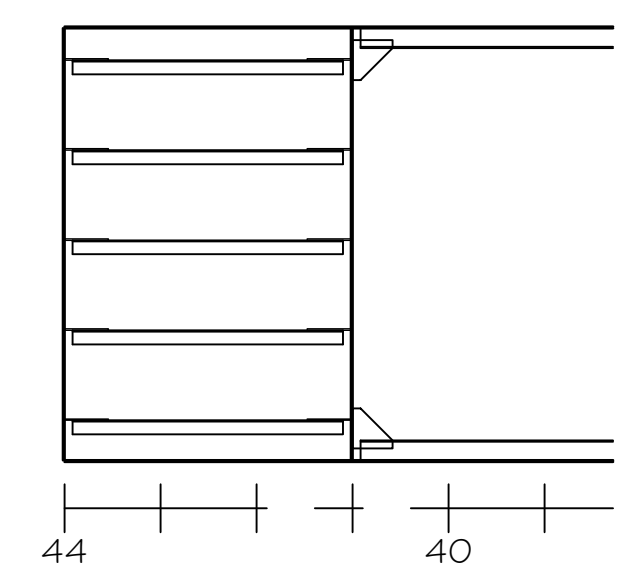
B



LONGITUDINAL SECTION 14'-0" OFF CENTER

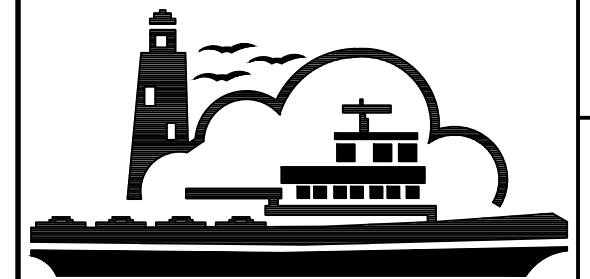
STBD SIDE SHOWN

A

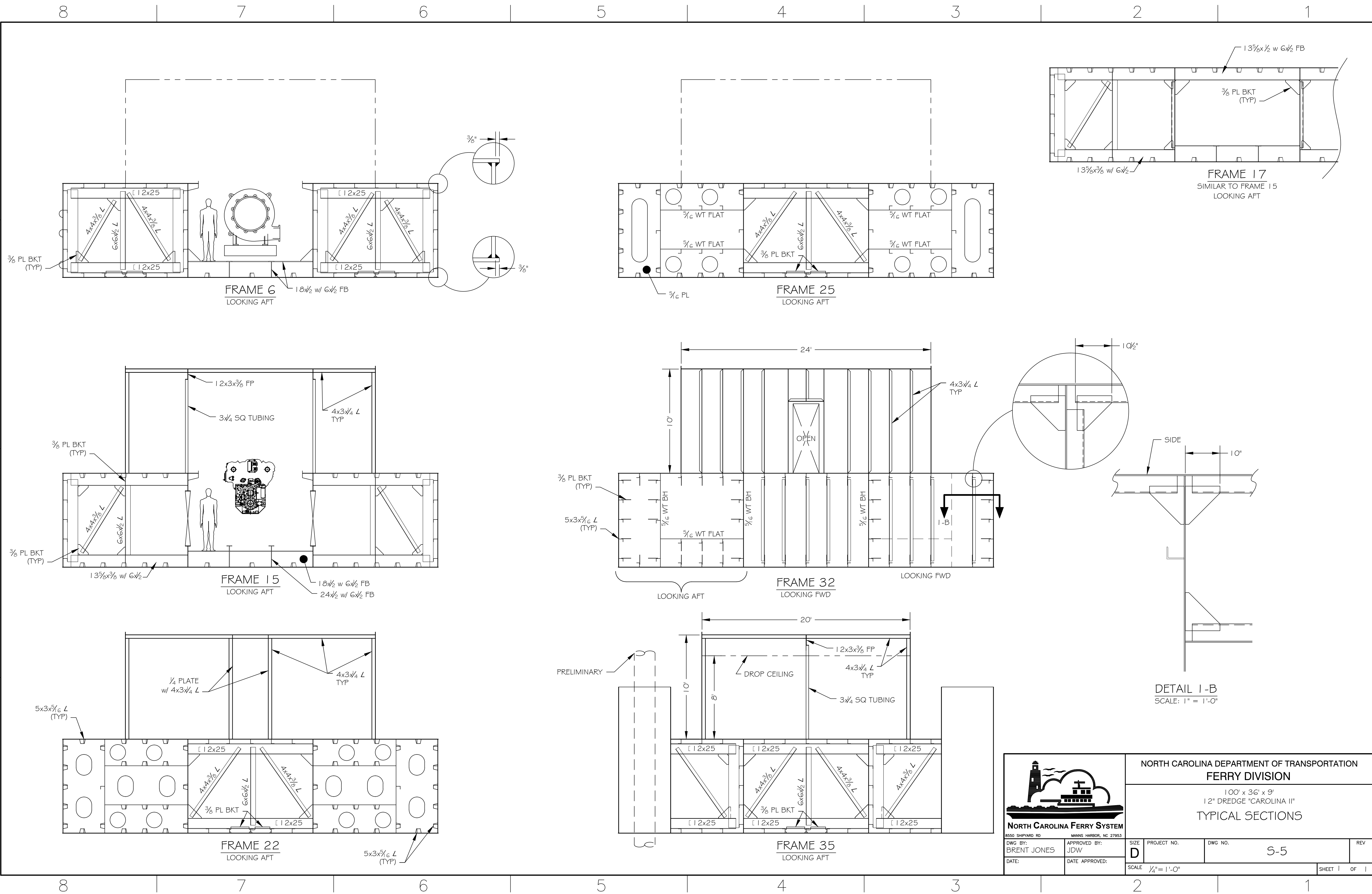


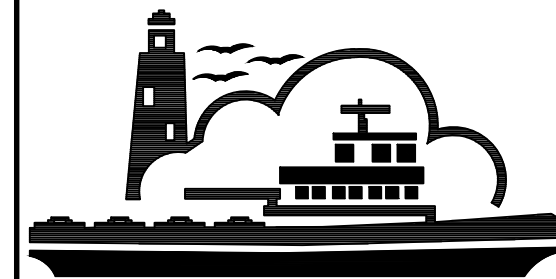
LONGITUDINAL SECTION ON CENTER

STBD SIDE SHOWN

 <p>NORTH CAROLINA FERRY SYSTEM <small>6550 SHIPYARD RD MANNING HARBOR, NC 27953</small></p>		<p>NORTH CAROLINA DEPARTMENT OF TRANSPORTATION FERRY DIVISION</p>			
		<p>100' x 36' x 9' 12" DREDGE "CAROLINA II"</p> <p>SCANTING AND INBOARD PROFILE</p>			
<p>DWG BY: BRENT JONES</p>	<p>APPROVED BY: JDW</p>	<p>SIZE D</p>	<p>PROJECT NO.</p>	<p>DWG NO. S-1</p>	<p>REV</p>
<p>DATE:</p>	<p>DATE APPROVED:</p>	<p>SCALE 1/4" = 1'-0"</p>	<p>SHEET 1 OF</p>		

8 | 7 | 6 | 5 | 4 | 3 | 2 | 1



 <p>NORTH CAROLINA FERRY SYSTEM 6550 SHIPYARD RD. MANKS HARBOR, NC 27953</p>		<p>NORTH CAROLINA DEPARTMENT OF TRANSPORTATION FERRY DIVISION</p> <p>100' x 36' x 9' 12" DREDGE "CAROLINA II"</p> <p>TYPICAL SECTIONS</p>	
DWG BY: BRENT JONES	APPROVED BY: JDW	SIZE D	PROJECT NO. DWG NO.
DATE:	DATE APPROVED:	SCALE 1/4" = 1'-0"	REV S-5
		SHEET 1 OF 1	